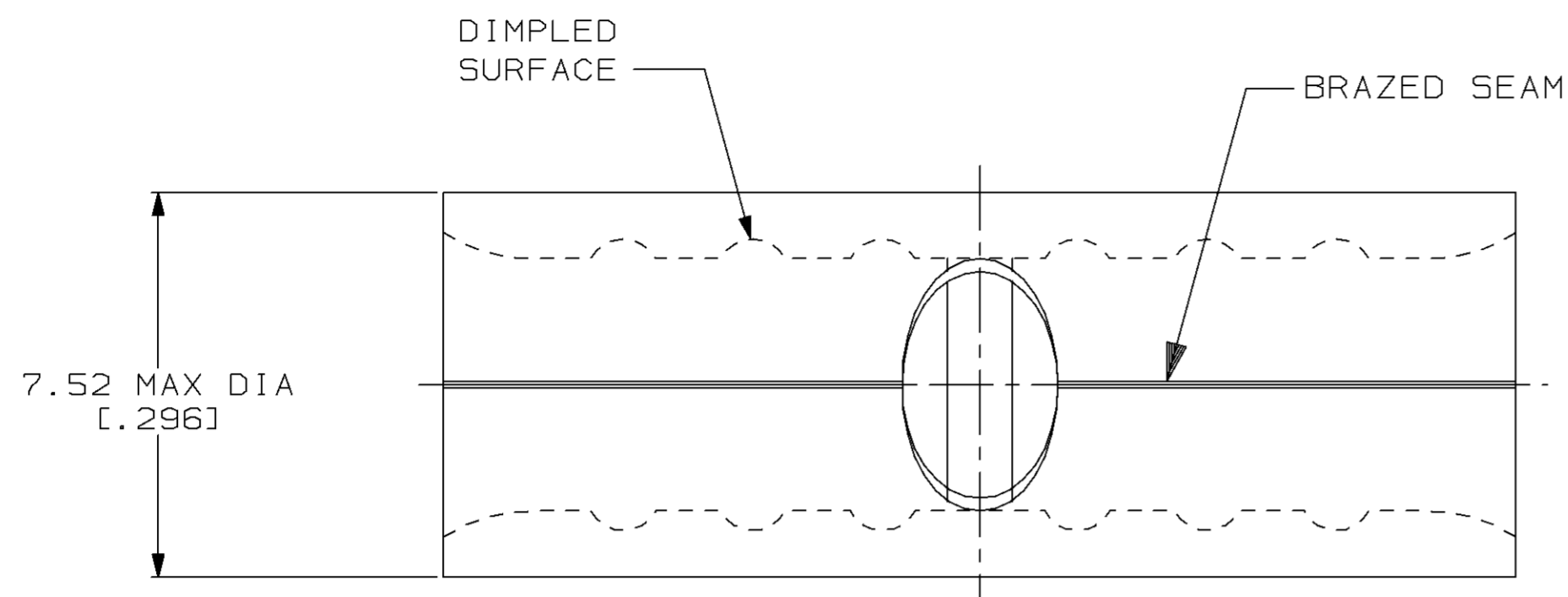


THIS DRAWING IS UNPUBLISHED. RELEASED FOR PUBLICATION ,19 .  
 © COPYRIGHT 19 BY AMP INCORPORATED. ALL INTERNATIONAL RIGHTS RESERVED.

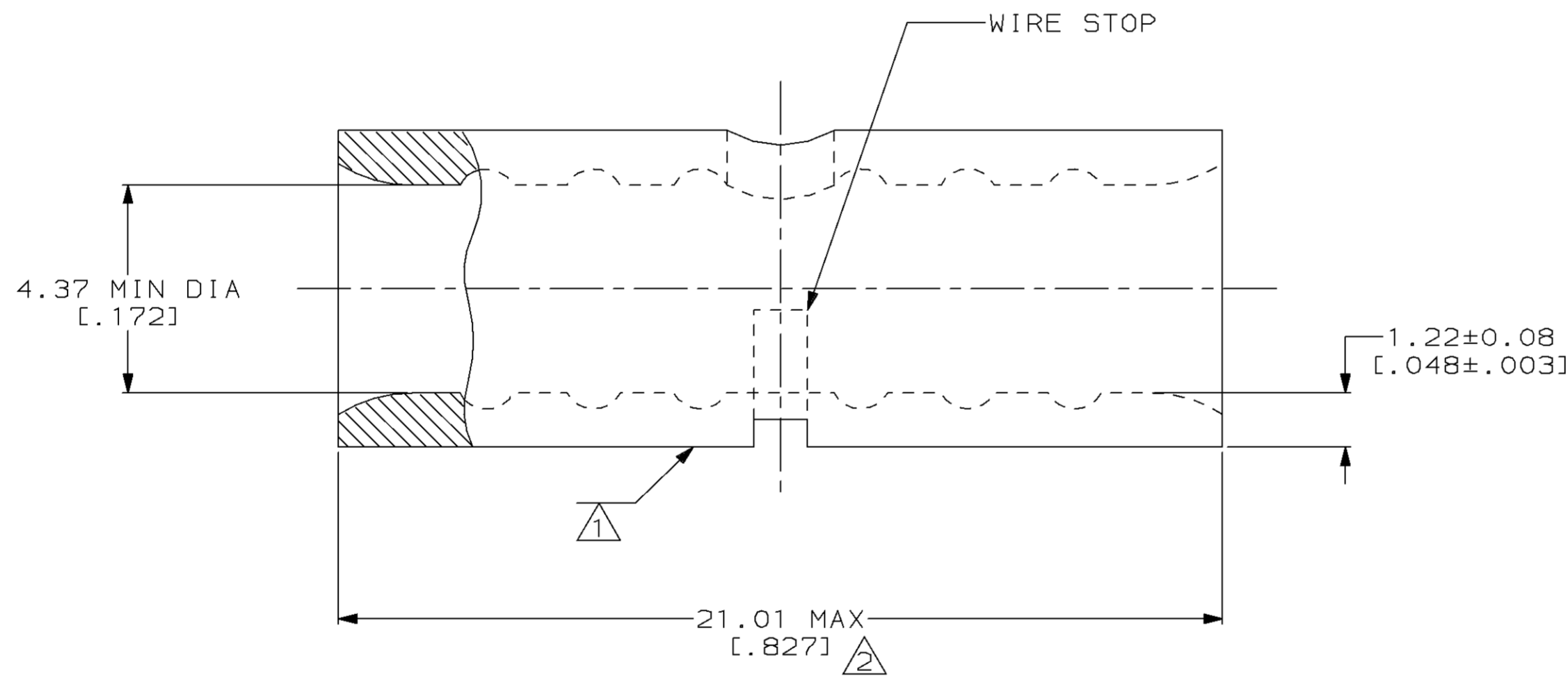
LOC		DIST		REVISIONS				DATE	APPD
ZONE	LTR	DESCRIPTION		DATE	APPD				
G	14	P	F	E	REV, RDRW, & SM PKG PER 0720-0040-93	4-5-93	DA P		



**METRIC**  
 DIMENSIONS LISTED IN mm [ INCHES ]

<b>AMP</b> WIRE RANGE	<b>UL</b> Listed
8 AWG SOLID OR STRANDED	8 AWG STRANDED
<b>SR</b> LR7189 Certified	MILITARY P/N AND CLASS
8 AWG SOLID OR STRANDED	NOT APPLICABLE

- ① STAMP AMP 8W\* APPROX AS SHOWN
- ② MAXIMUM LENGTH DOES NOT INCLUDE MANUFACTURING TABS



25	LOOSE PIECE, BOX	8-36906-3
----	LOOSE PIECE	36906
QUANTITY	PACKAGE TYPE	PART NO

AMP INCORPORATED  
 CUSTOMER SERVICE SYSTEMS

MAX RECOMMENDED OPERATING TEMPERATURE:  
 170°C MAX

DO NOT SCALE PRINT.  
 UNLESS SPECIFIED  
 DIMENSIONS IN mm [INCHES]  
 TOLERANCES ON:  
 2 PLC DEC ± -  
 3 PLC DEC ± -  
 ANGLES ± -

DR 4-5-93  
 TA BRINKMAN  
 CHK 4-5-93  
 DA PATTERSON

**AMP** AMP Incorporated  
 Harrisburg, PA 17105-3608

FOR ADDITIONAL  
 PRODUCT INFORMATION OR  
 COPIES OF DRAWINGS  
 AND TECHNICAL DOCUMENTS

PRODUCT INFORMATION CENTER  
 1-800-522-6752

VOLTAGE RATING:  
 NOT APPLICABLE

MATERIAL  
 COPPER PER  
 ASTM B-152  
 ANNEALED

APPD 4-5-93  
 DE MILLER  
 APPD 4-5-93  
 JL MECKLEY  
 PRODUCT SPEC

NAME  
 SPLICE, BUTT,  
 SIGHT HOLE, SOLISTRAND™

FOR APPLICATION  
 TOOLING INFORMATION

TOOLING ASSISTANCE CENTER  
 1-800-722-1111

WIRE CROSS SECTIONAL AREA RANGE:  
 6.64-10.5MM<sup>2</sup> [13,100-20,800] CIR MILS  
 SOLID OR STRANDED

FINISH  
 TIN PLATE  
 0.00254 [0.00100] MIN  
 THK PER MIL-T-10727

APPLICATION SPEC  
 -  
 WEIGHT -

SIZE  
 CAGE CODE  
 DRAWING NO  
 SCALE 8:1  
 00779  
 C=36906  
 SHEET 1 OF 1

FOR ORDER ENTRY  
 1-800-526-5142

THIS DRAWING IS A CONTROLLED DOCUMENT FOR  
 AMP INCORPORATED. IT IS SUBJECT TO CHANGE  
 AND THE CONTROLLING ENGINEERING ORGANIZATION  
 SHOULD BE CONTACTED FOR THE LATEST REVISION.